

Curved Drywalls



PRODUCTS CATALOG

SM-art Curved Drywalls

9225 Ulmerton Rd, Suite N FL 33771 +833-496-6448

email info@curveddrywalls.com

www.curveddrywalls.com





Our company is set to explore the possibilities of construction design and execution with our premium quality custom cut drywall solutions. By combining advanced technology, skilled craftsmanship, and a commitment to innovation, we aim to inspire creativity, elevate standards, and drive sustainable growth in the construction industry.

www.curveddrywalls.com

**Custom cut drywall panels in various shapes, sizes,
and thicknesses.**

**Specialty finishes and textures to complement different
architectural styles and design aesthetics including peelers
and light structures.**

**Pre-cut designs for specific applications such as curved walls,
arches, niches, peelers and more.**

**Eco-friendly and sustainable drywall options for
environmentally conscious projects.**

**Rapid prototyping and customization services for bespoke design
requirements.**

SM-Art Curved Drywalls

9225 Ulmerton Rd, FL 33771 +727-428-7201

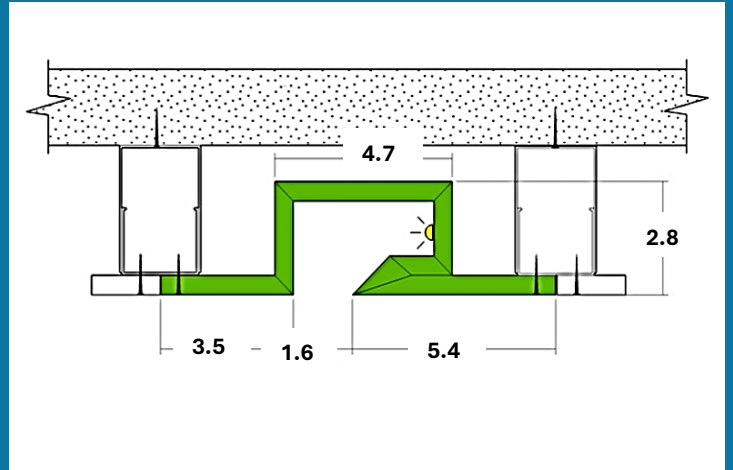
info@curveddrywalls.com



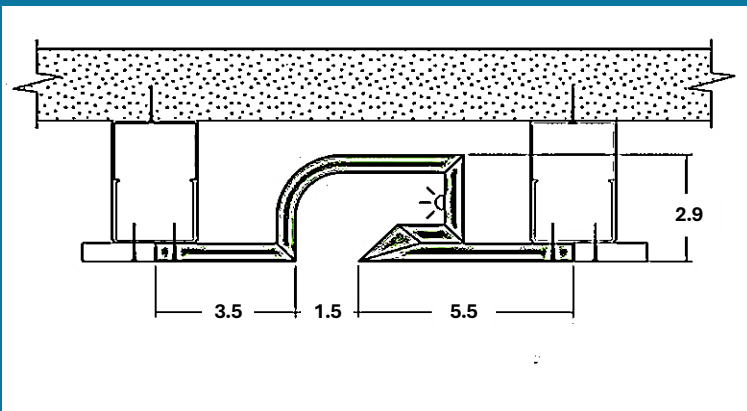
Light profile

with or without lights

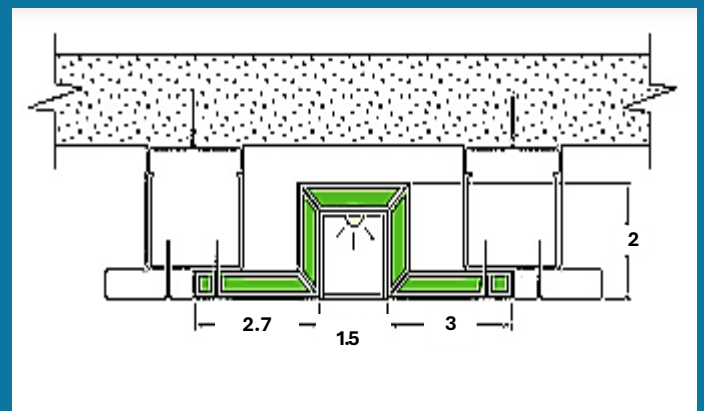
SM-LT101



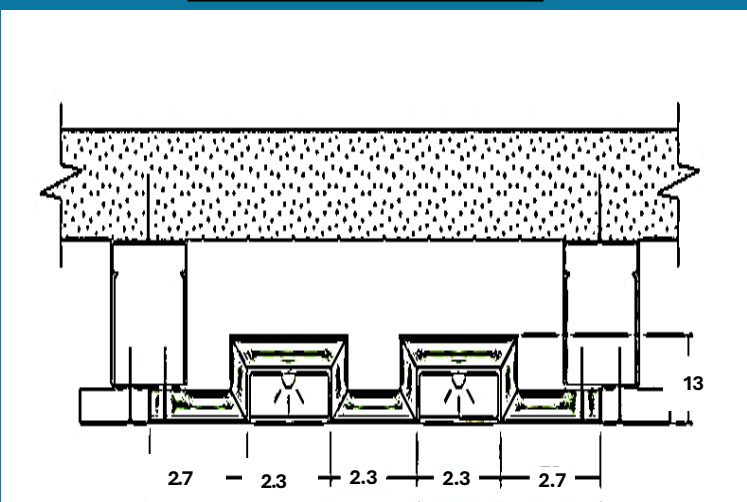
SM-LT102



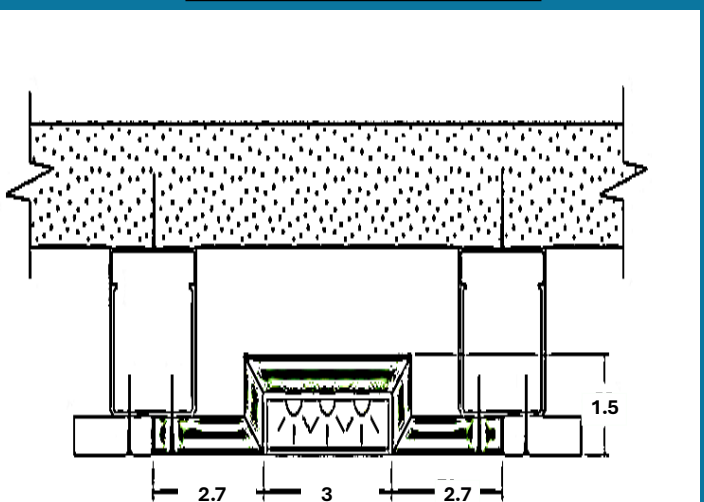
SM-LT103

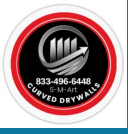


SM-LT104



SM-LT105

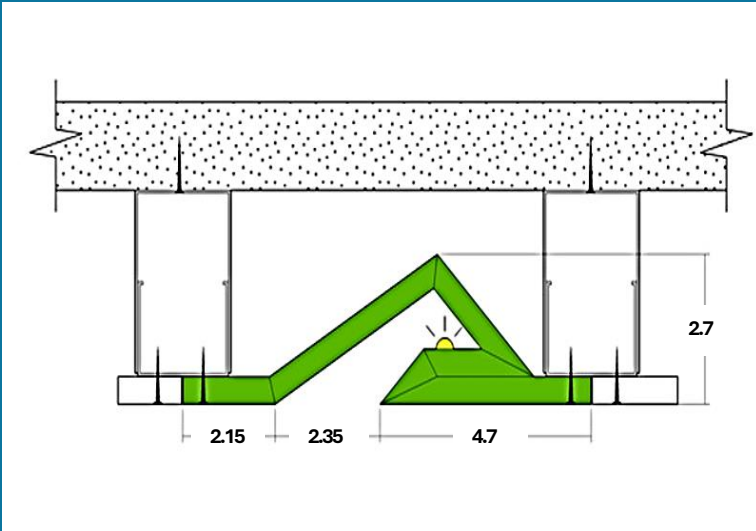




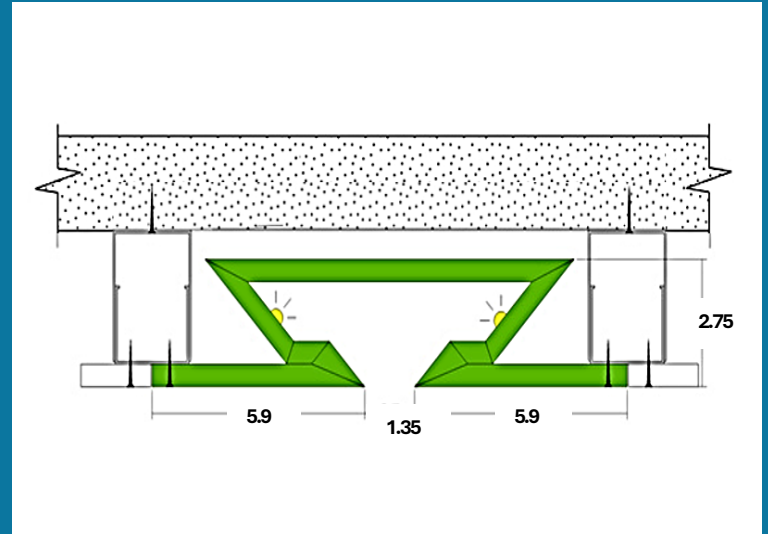
Light profile

with or without lights

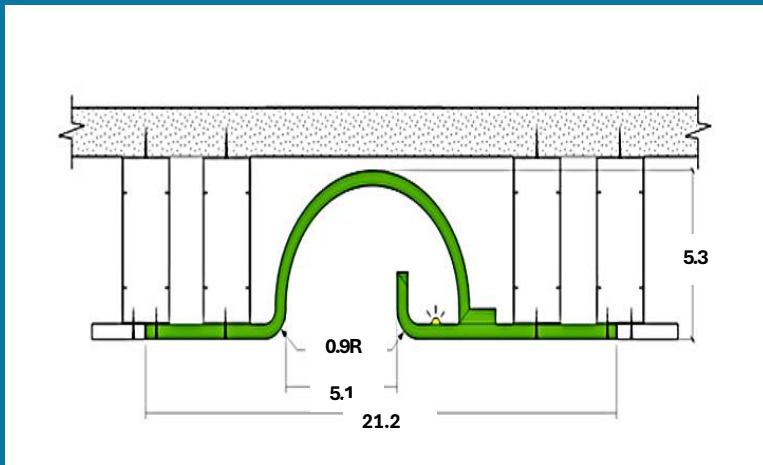
SM-LT107



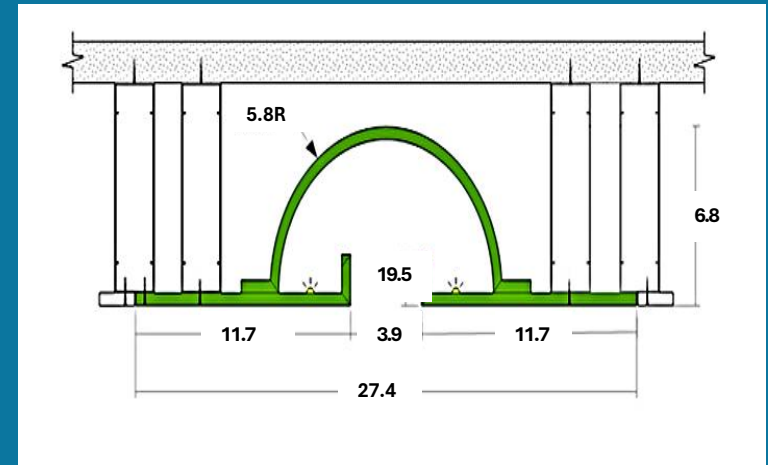
SM-LT106



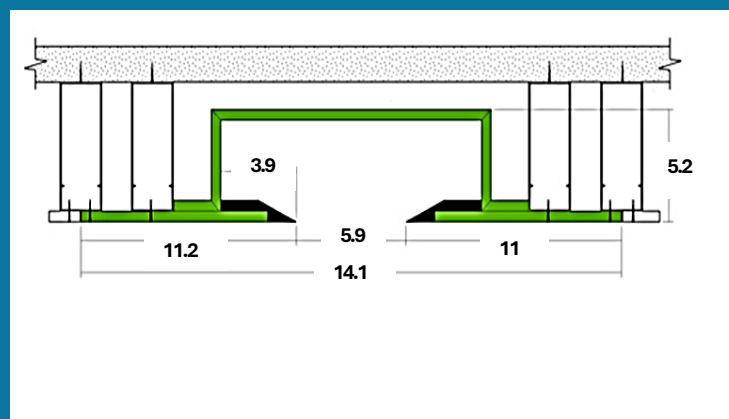
SM-LT108



SM-LT109



SM-LT110

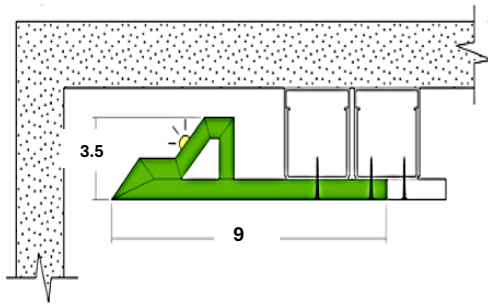




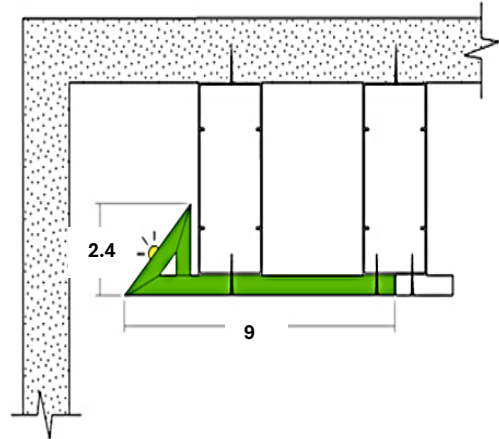
Floating ceiling edge

with or without lights

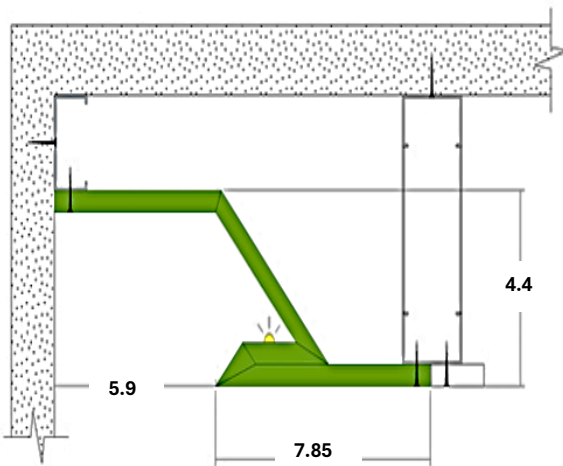
SM-FC202



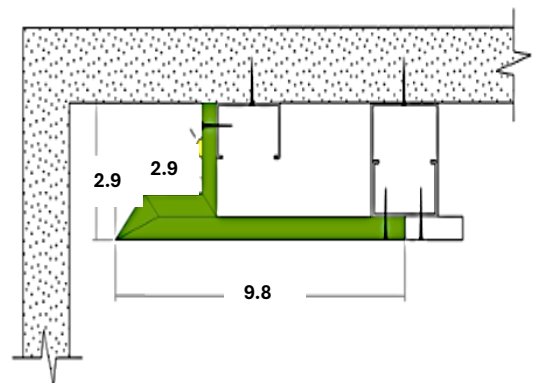
SM-FC201



SM-FC203



SM-FC204

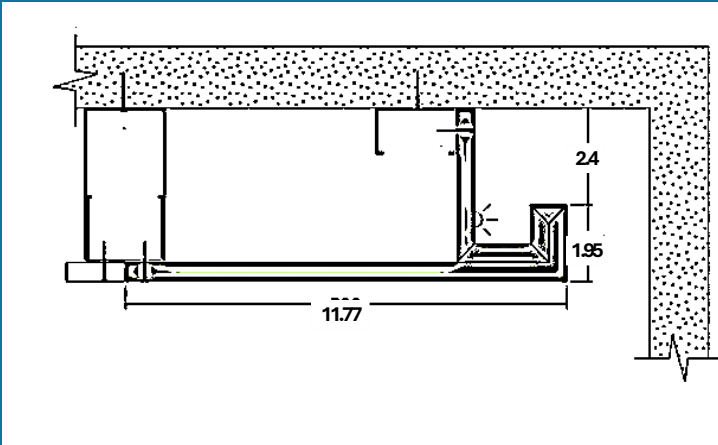




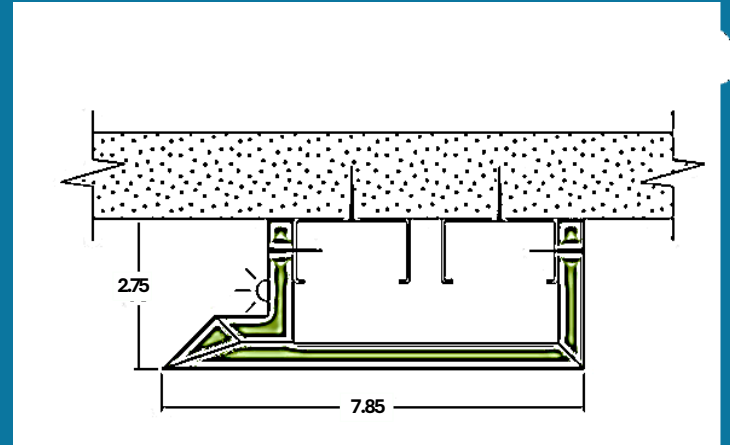
Floating ceiling edge

with or without lights

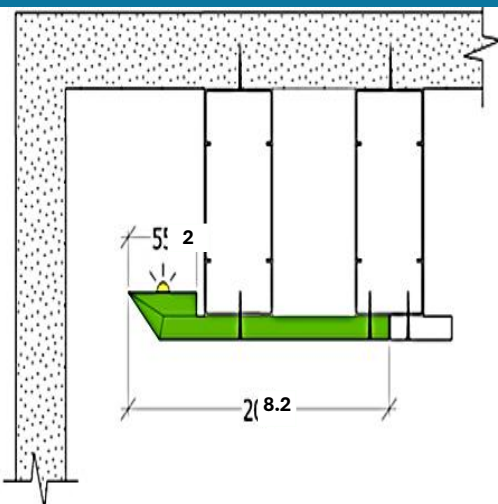
SM-FC206



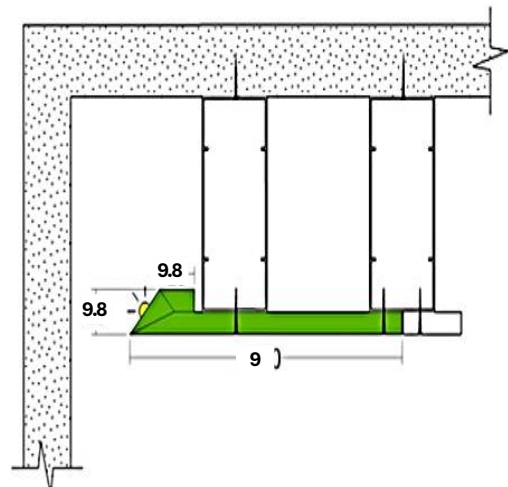
SM-FC205

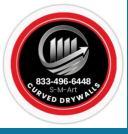


SM-FC207



SM-FC208





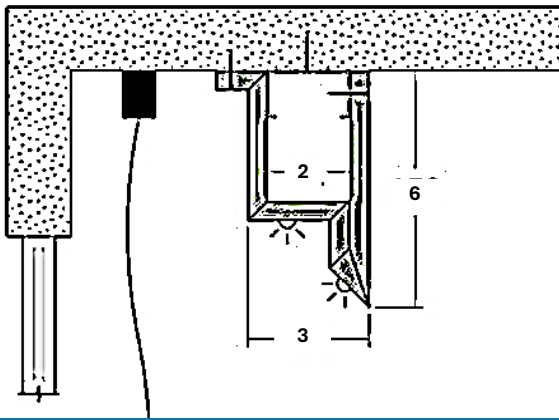
Cornice profiles

with or without lights

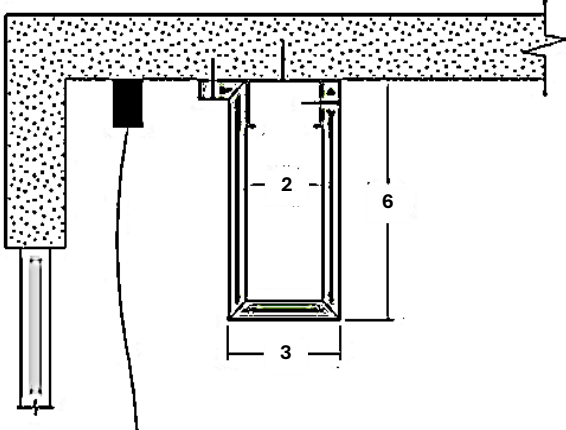
SM-VC302



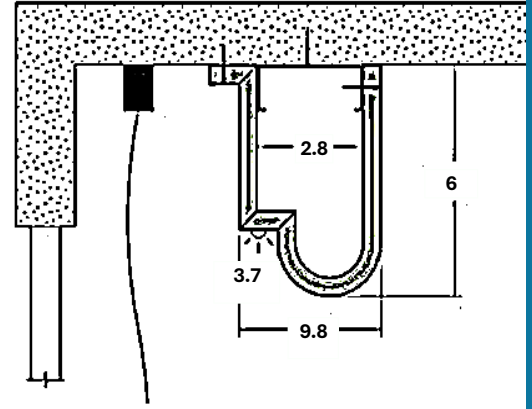
SM-VC303



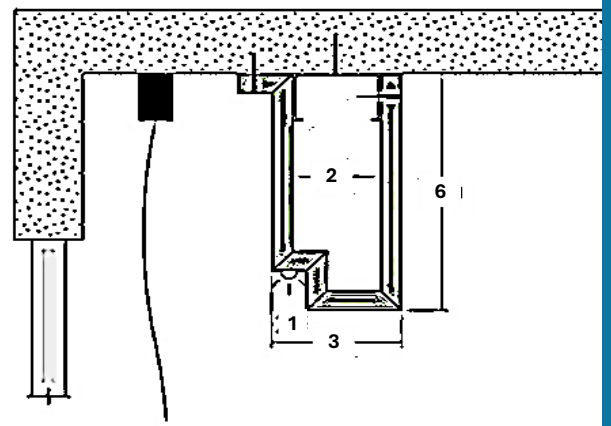
SM-VC305



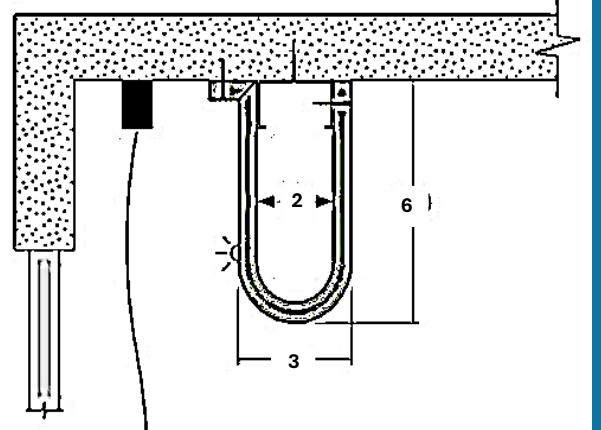
SM-VC301



SM-VC304



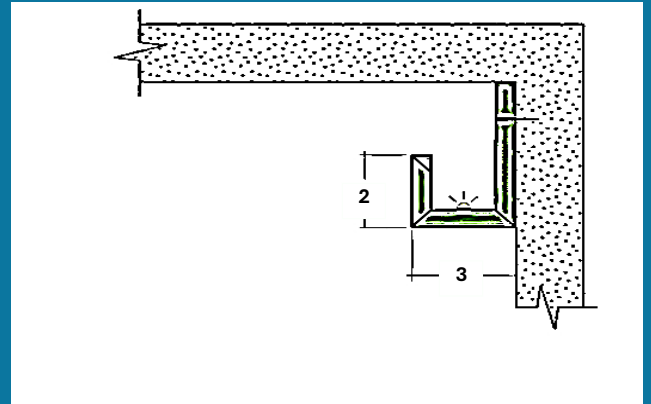
SM-VC306



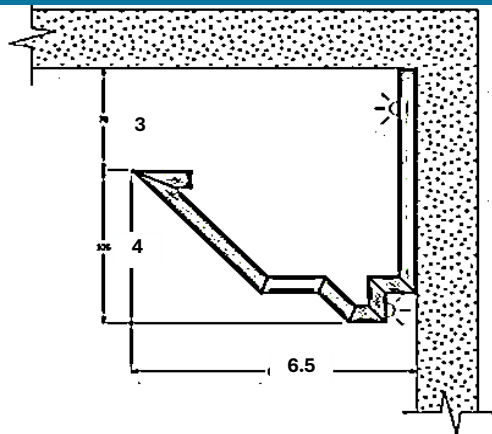


Valances with or without lights

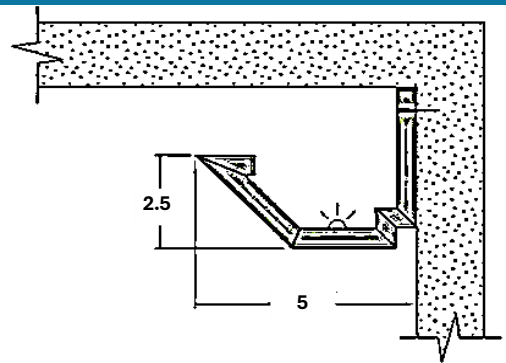
SM-CR401



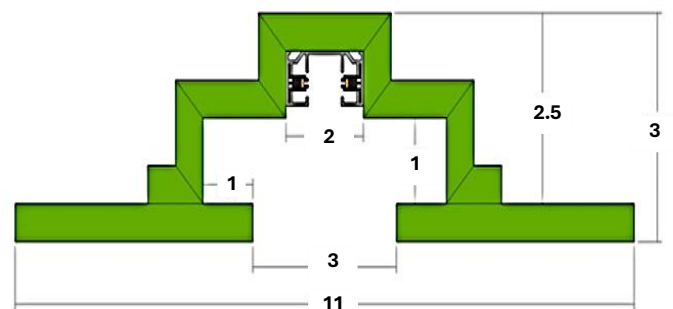
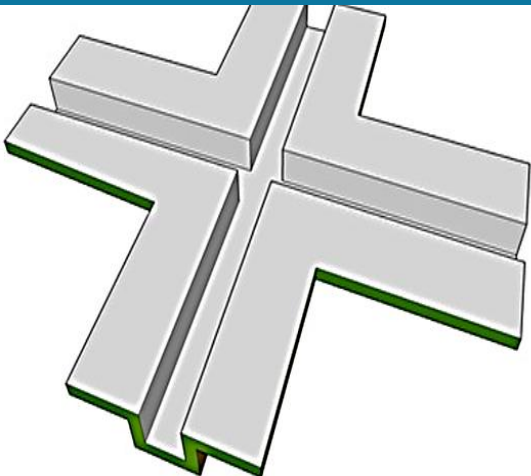
SM-CR402



SM-CR403



SM-CR404

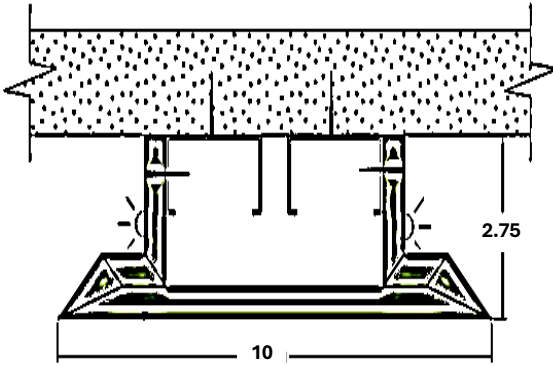




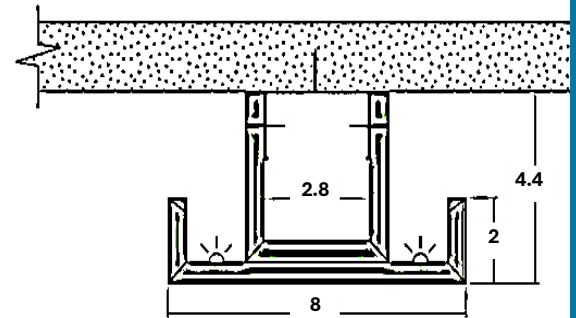
Cornice profiles

with or without lights

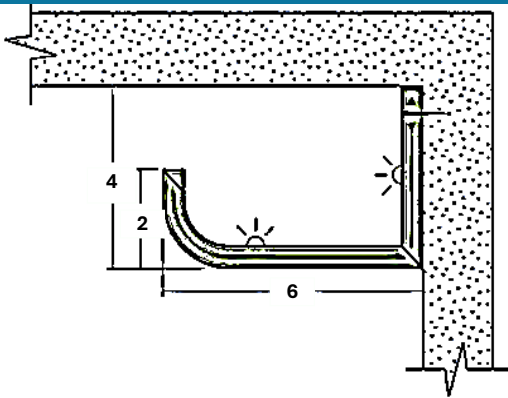
SM-CP406



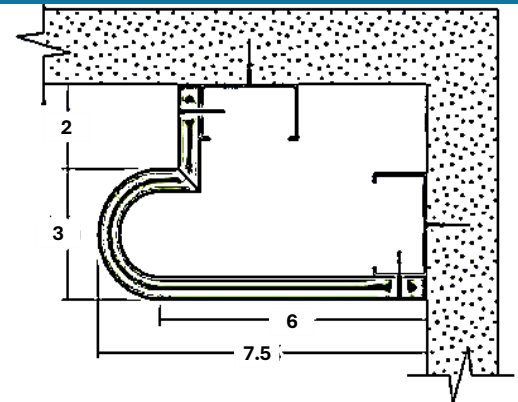
SM-CP405



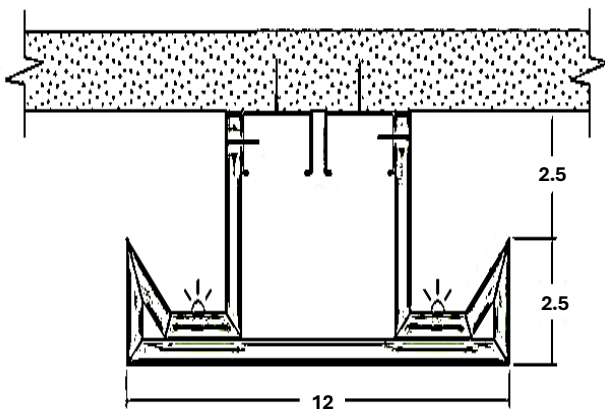
SM-CP407



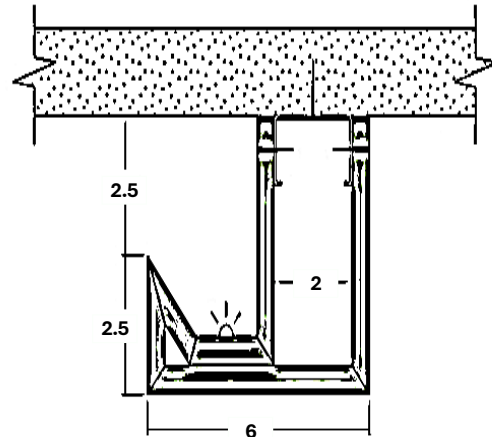
SM-CP408



SM-CP409



SM-CP410

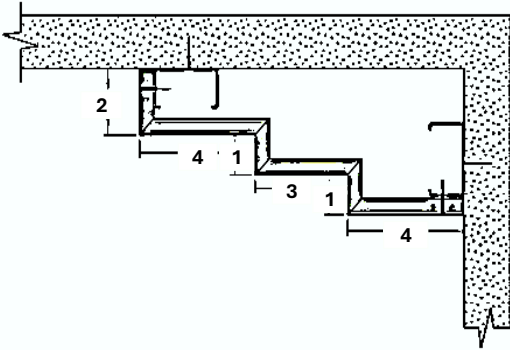




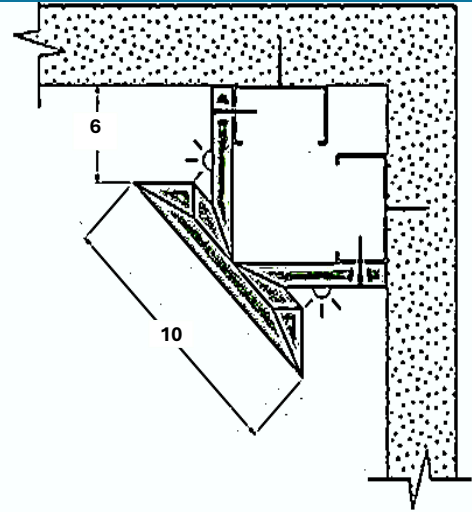
Steps & Corners cover

with or without lights

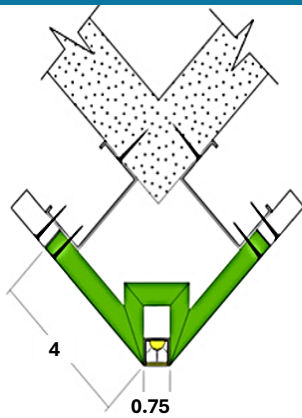
SM-SC502



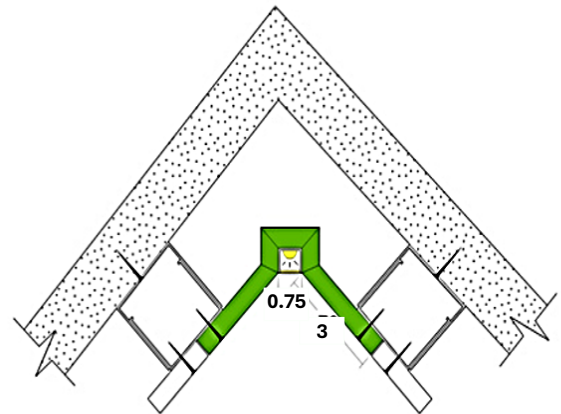
SM-SC501



SM-SC504



SM-SC503



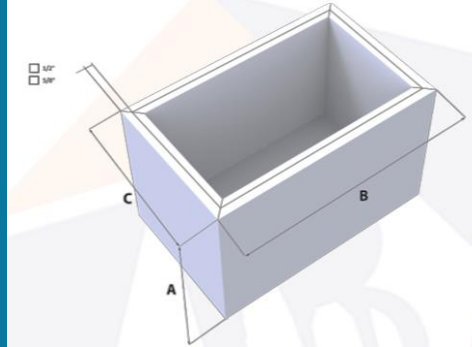


Standard shapes

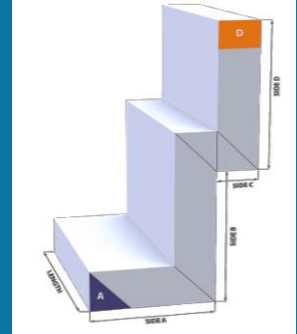
SM-ST702



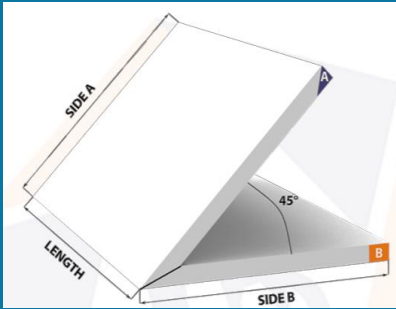
SM-ST701



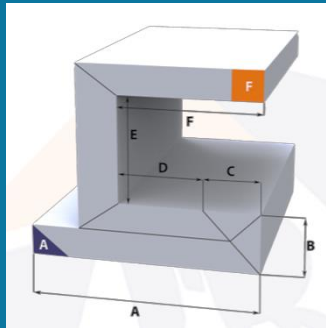
SM-ST703



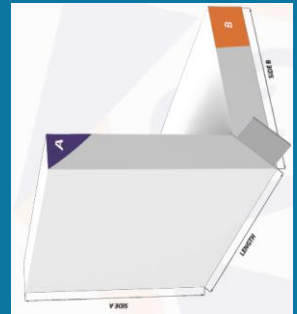
SM-ST704



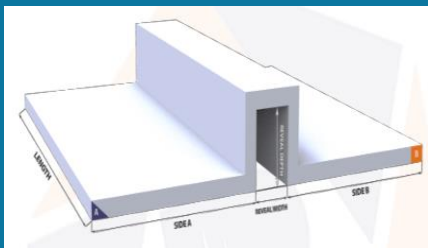
SM-ST705



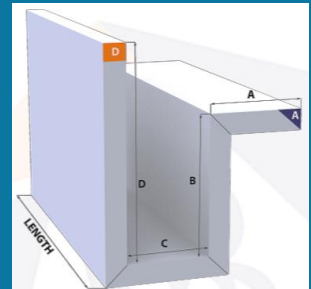
SM-ST706



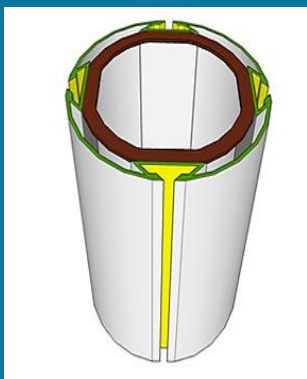
SM-ST707



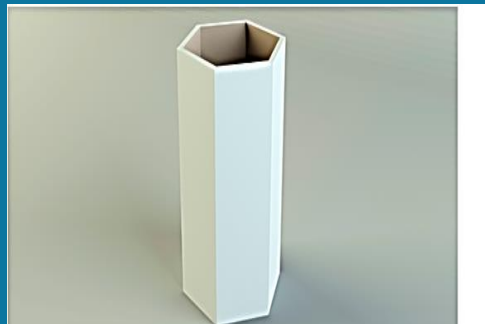
SM-ST708



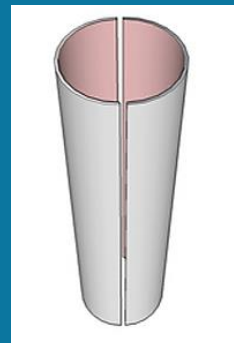
SM-C801

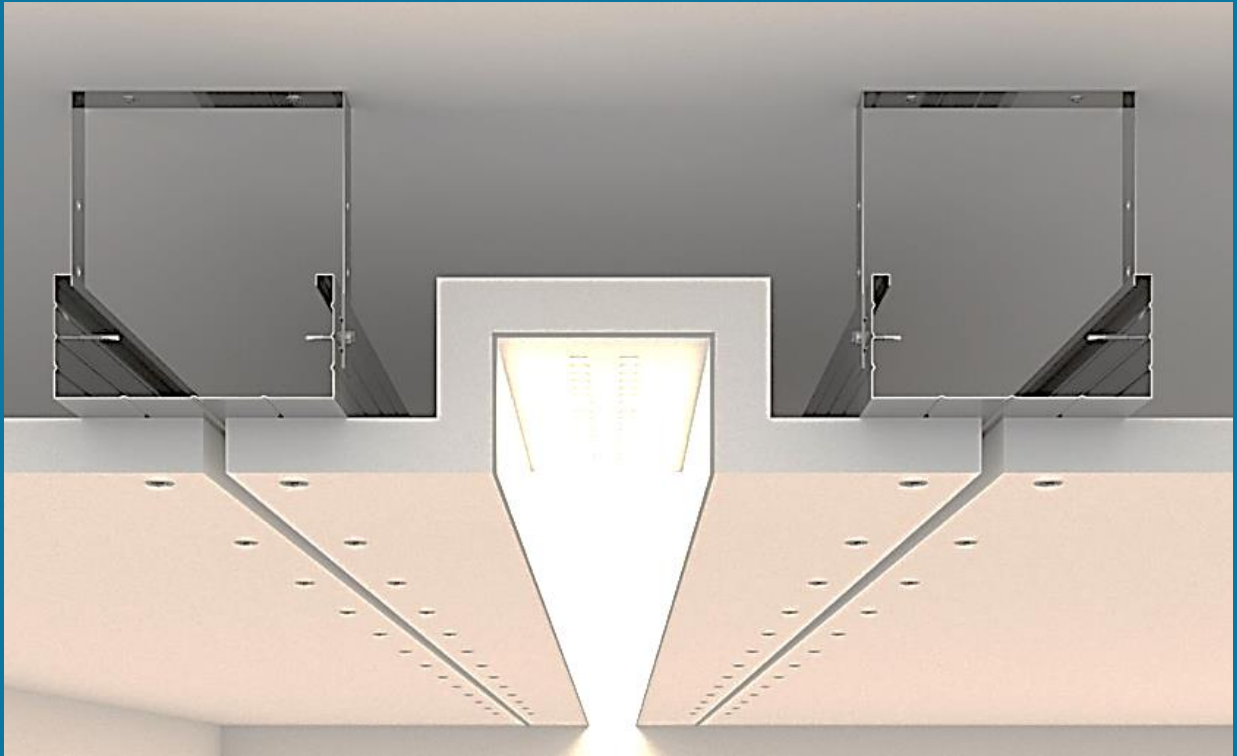


SM-C802



SM-C803





**WE CAN CURVE A DRYWALL TO ANY SHAPE YOU NEED.
CLEAN, SMOOTH, NO WATER TREATMENT
AND NO COMPLECATIONS.**

